



- 0.95bar vacuum to 100bar (1500psi) pressure
- Dual pressure source (double output manifold)
- High pressure resolution (0.1mbar)
- High pressure stability
- Easy to use pressure lever with handle
- Built-in isolation valve for increased protection
- Free from humidity and dirt
- Ideal for use with calibrators and gauges

### DESCRIPTION

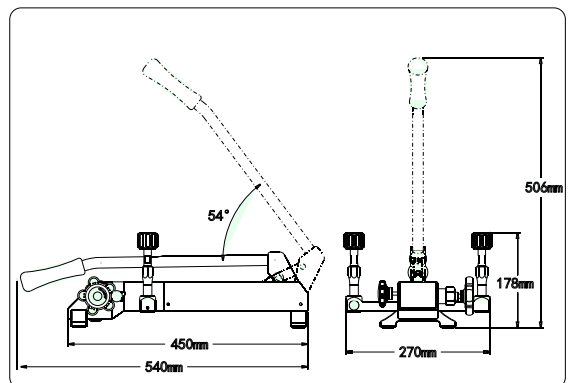
A benchtop pneumatic pressure pump that is a dual pressure source with the ability to achieve high pressures with minimal effort. It provides both 95% vacuum and pressure to 100bar (1500psi). The long pump lever with ergonomic grip enables smooth generation to high output pressures and a high-quality screw press is incorporated to allow fine adjustment settings within 0.1mbar (10Pa). The 7194 can also be used to generate low pressures (600mbar) without pumping. An isolation valve shuts-off the pump from the system under pressure to keep the output stable under calibration. A built-in gas-liquid trap protects the pump from moisture and dirt. Any residual liquid in the pump is vented out via the vent port which incorporates a hose connection to allow collection of liquids. For calibration applications the double output manifold provides finger-tight connections for a reference gauge and device under test.

The 7194 is comfortable and simple operation, with features that make it ideal for calibrating pressure transducers, precision pressure gauges, and other pressure instruments. It is particularly suitable for applications where high pressure is required without the use of hydraulic pumps or nitrogen cylinders. It is also ideal for use as a benchtop gauge comparator. To accompany the pump Time Electronics offer a range of digital pressure gauges, including the 7094 100bar gauge with 0.2% full scale accuracy. Also available is the 7078 auto-ranging digital pressure gauge with vacuum to 200bar range and 0.1% accuracy of setting.



### SPECIFICATIONS

Media .....	Air
Generated Pressure Range .....	0.95bar vacuum to 100bar pressure (14psi vacuum to 1500psi pressure)
Over Pressure Range .....	To 120bar (1700psi)
Pressure Resolution .....	0.1mbar / 10Pa
Material .....	Ram/adapters: 316 SS Body: Steel/aluminum Seals: Buna-N
Pressure Connections .....	2 x 1/4" BSP
Weight .....	6.8kg (15 lbs)
Dimensions .....	540 x 270 x 130mm
Optional Extras .....	Digital pressure gauges



### ORDERING INFORMATION

7194 .....	<b>Benchtop Pneumatic Pressure Calibration Pump</b> (0.95bar vac to 100bar)
7094 .....	Digital pressure gauge (0 to 100bar, 0.2% full scale accuracy)
7078 .....	Auto-ranging digital pressure gauge (Vac to 200bar, 0.1% accuracy of setting)

*Due to continuous development Time Electronics reserves the right to change specifications without prior notice.*